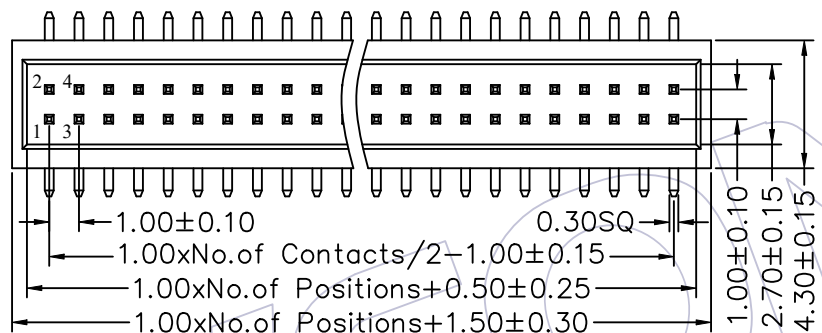
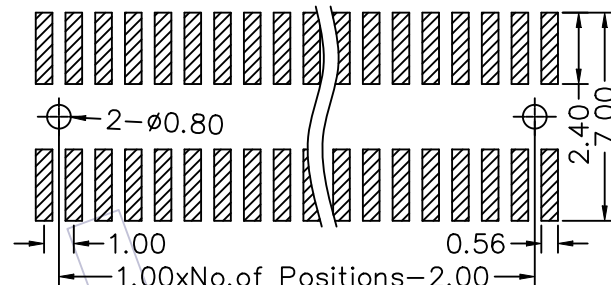


HSF

NOTES:
 Current Rating: 1AMP
 Contact Resistance: 30mΩ max
 Withstand Voltage: 500V AC/DC
 Insulation Resistance: 1000MΩ min
 Operation Temperature: -40°C to +105°C

Contact Material: Brass
 Contact plating: Au or Sn Over Ni
 Insulator Material: PA9T+30%GF(UL94V-0)

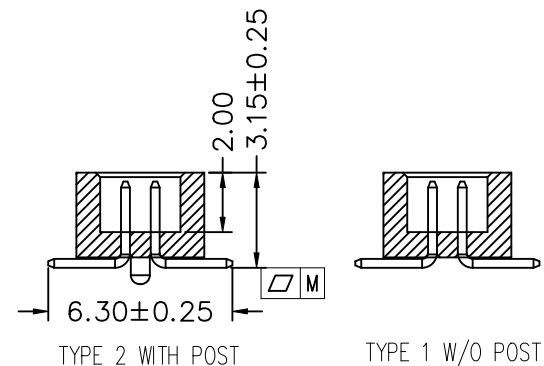
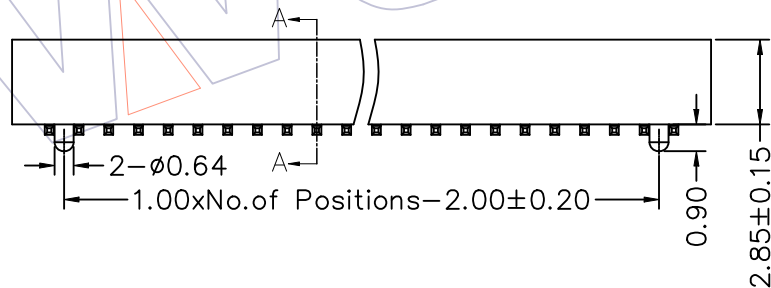
Recommended P.C.B Layout (Top Side)
 (PCB BOARD TOLERANCE ±0.05)



Ordering Information

3150- XX M XX B K00 X X

No. of Pins 10-60P	Contact Plating G0=Gold Flash G1=3u"Gold G2=5u"Gold G3=10u"Gold G4=15u"Gold G5=30u"Gold	Color Insulator B=Black U=Blue W=White	Packing A=Tray T=Tube P=Tube+CAP
-----------------------	---	---	---



PIN(PerRow)	2-39P	40-60P	61-100P
M	0.10	0.12	0.15



REV	DATE	MODIFICATION DESCRIPTION	CHANGE	OPERATION	DRAW	DATE	SCALE	FIT	PART NO.
A1	2023/02/15	Add Flatness	DuYing	x.x ±0.40	DuYing	2023/02/15	UNIT mm	A4	3150-XXMXXBK00XX
A0	2014/11/03	NEW	Allen	x.xx ±0.25	CHECK	DATE	SIZE	1/1	TITLE: 1.00 BOX HEADER SMT H=2.85
				x.xxx ±0.15	APPROVE	DATE	SHEET		Customer NO.
				Angle ± 3°			PROJ.		
				DIM TOL					

WCON

Http: www.wcon.com

WCON-Dongguan Tel: +86 769 85358920 Fax: +86 769 85358915 E-mail: sales@wcon.com	WCON-Kunshan Tel: +86 512 57468408 Fax: +86 512 57468468 E-mail: salesks@wcon.com
---	--