

HSF

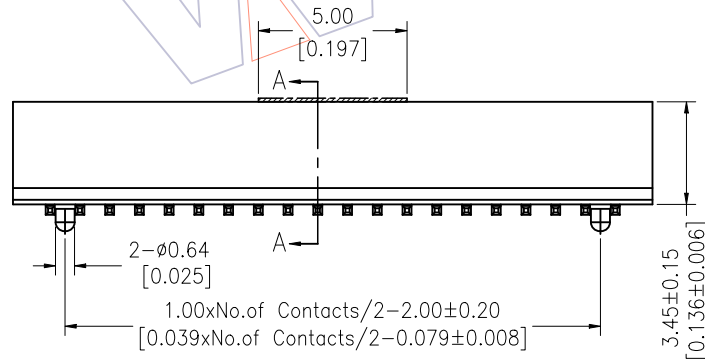
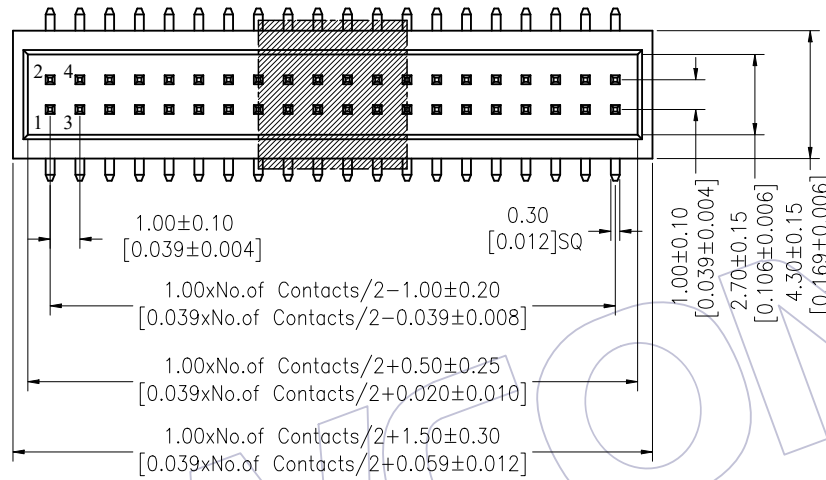
NOTES:
 Current Rating:1AMP
 Contact Resistance:30mΩ max
 Withstand Voltage:500V AC/DC
 Insulation Resistance:1000MΩ min
 Operation Temperature:-40°C to +105°C

Contact Material:Brass
 Contact plating:Au Over Ni
 Insulator Material:PA9T+30%GF(UL94V-0)

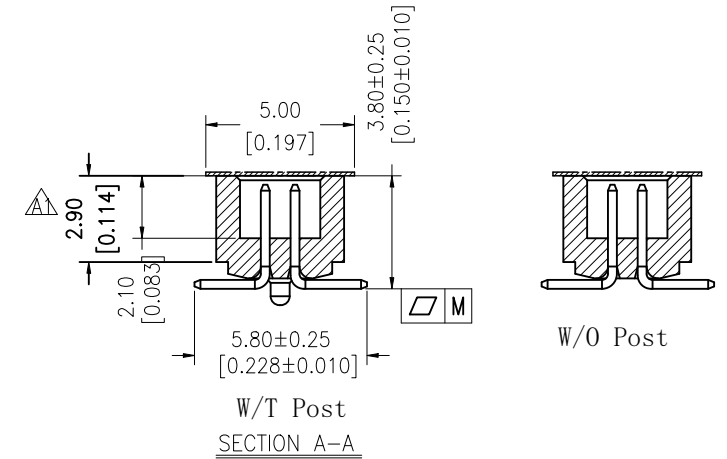
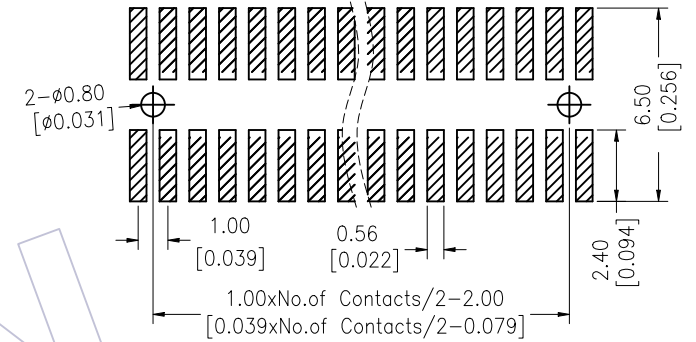
Ordering Information

3150A-XX M XX B K00 X X

No. of Pins 2-100P	Contact Plating G0=Gold Flash G1=3u"Gold G2=5u"Gold G3=10u"Gold G4=15u"Gold G5=30u"Gold	Color Insulator B=Black	Packing T=Tube P=Tube+Mylar R=Reel+Mylar
-----------------------	---	----------------------------	---



Recommended P.C.B Layout(Top Side)
 (PCB BOARD TOLERANCE ± 0.05)



PIN(PerRow)	2-39P	40-60P	61-100P
M	0.10	0.12	0.15

A2

REV	DATE	MODIFICATION DESCRIPTION	CHANGE	OPERATION	DRAW	DATE	SCALE	FIT	PART NO.
A2	2023/02/14	Add Flatness A2	DuYing	x.X ±0.40	DuYing	2023/02/14	UNIT	mm	3150A-XXMXXBK00XX
A1	2015/06/01	Modify	Allen	x.XX ±0.25	CHECK	DATE	SIZE	A4	TITLE:
A0	2015/03/31	NEW	-----	x.XXX ±0.15	APPROVE	DATE	SHEET	1/1	1.00 BOX HEADER SMT H=3.45
				Angle ± 3°			PROJ.		Customer NO.
				DIM TOL					

WCON

Http: www.wcon.com

WCON-Dongguan Tel: +86 769 85358920 Fax: +86 769 85358915 E-mail: sales@wcon.com	WCON-Kunshan Tel: +86 512 57468408 Fax: +86 512 57468468 E-mail: salesks@wcon.com
---	--