


HSF

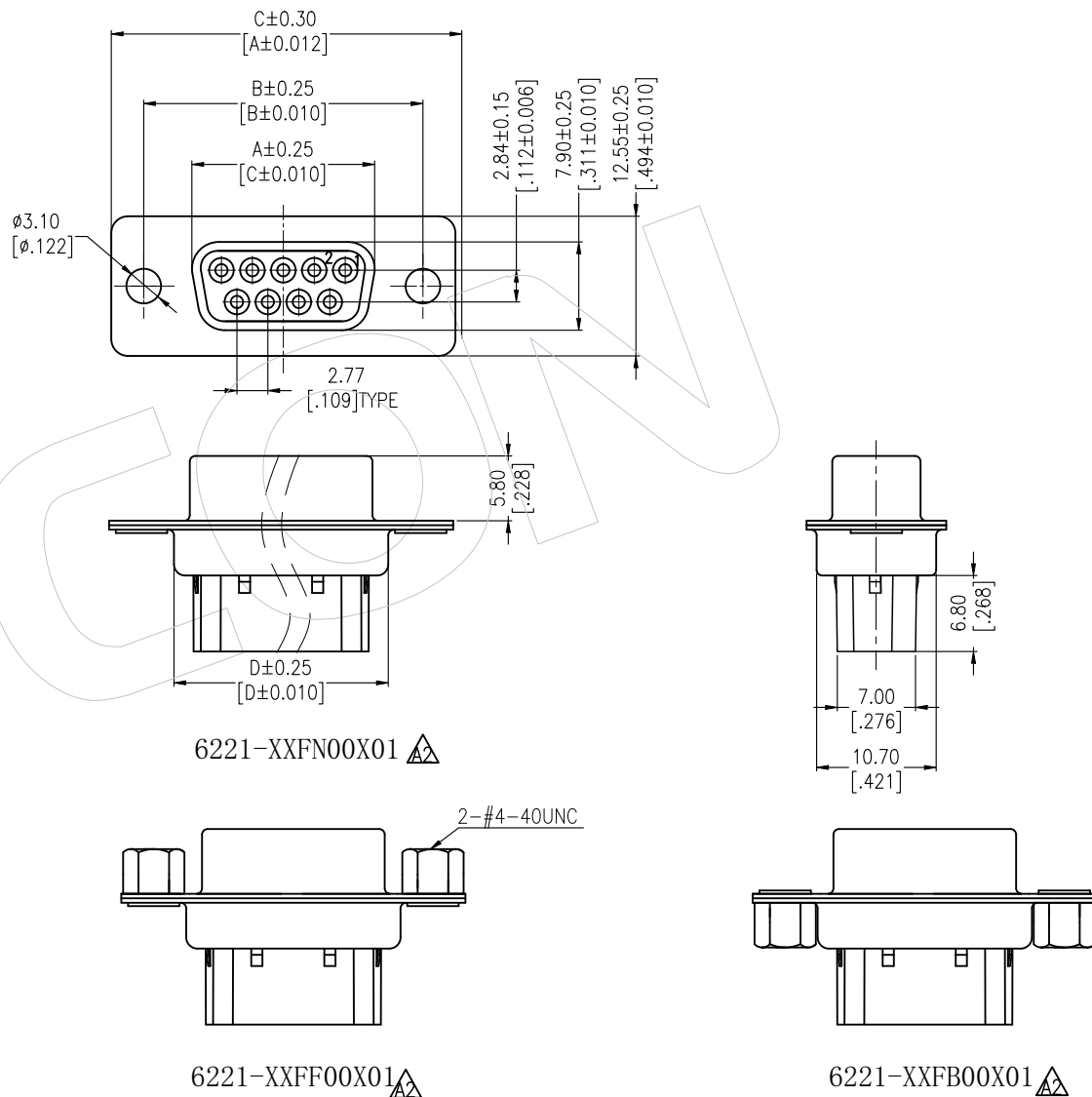
NOTES: 
 Rated Current: 3.0 AMP
 Contact Resistance: 20mΩ max
 Withstand Voltage: 500V AC/Minute
 Insulation Resistance: 1000MΩ Min
 Operation Temperature: -55°C to +105°C

Insulator Material: PBT+30%G.F UL94V-0
 Shell: Cold Roller Steel, Sn Or Ni Plated
 Nut: Brass, Sn Over Ni Plated




Ordering Information

6221- XX F X 00 X 01

No. of Pins: 9P, 15P, 25P, 37P
 Type: B=With Back Nut, F=With Front Nut, N=Without Nut
 Insulator Color: B=Black, U=Blue



Pins	DIM "A"	DIM "B"	DIM "C"	DIM "D"
9	16.35	24.99	30.80	19.18
15	24.75	33.32	39.20	27.60
25	38.35	47.04	53.05	41.00
37	54.84	63.50	69.40	57.40

REV	DATE	MODIFICATION DESCRIPTION	CHANGE	OPERATION	DRAW	DATE	SCALE	FIT	PART NO.
A2	2022/12/02	ADD Bump 	DuYing	x.x ±0.40	DuYing	2022/12/02	UNIT mm		6221-XXFX00X01 
A1	2014/05/28	Modify 6221-XXFXXB01 to 6221-XXFX00X01 	Allen	x.xx ±0.25	CHECK	DATE	SIZE A4		TITLE: D-SUB FEMALE DUAL ROW CRIMP TYPE
A0	2012/12/03	NEW	-----	x.xxx ±0.15			SHEET 1/1		Customer NO.
				Angle ± 3°	APPROVE	DATE	PROJ.		
				DIM TOL					

WCON
 Http: www.wcon.com
 WCON-Dongguan Tel: +86 769 85358920
 WCON-Kunshan Tel: +86 512 57468408
 Fax: +86 769 85358915 Fax: +86 512 57468468
 E-mail: sales@wcon.com E-mail: salesks@wcon.com