

# HSF

## NOTES:

Current Rating: 3.0AMP  
 Contact Resistance: 30mΩ Max  
 Withstand Voltage: 500V AC/DC  
 Insulation Resistance: 1000MΩ Min  
 Operation Temperature: -55°C to +105°C

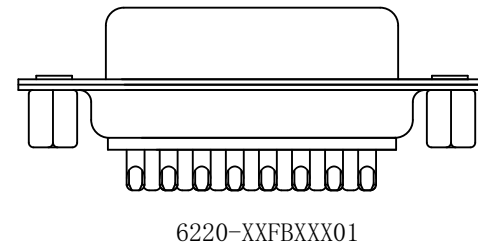
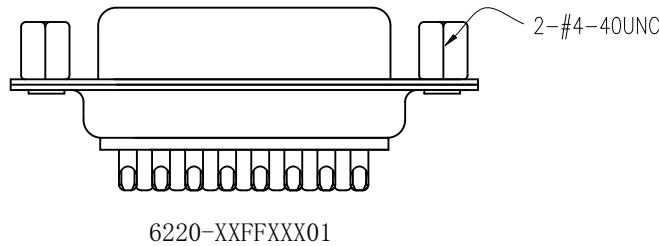
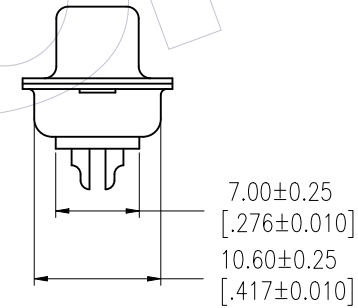
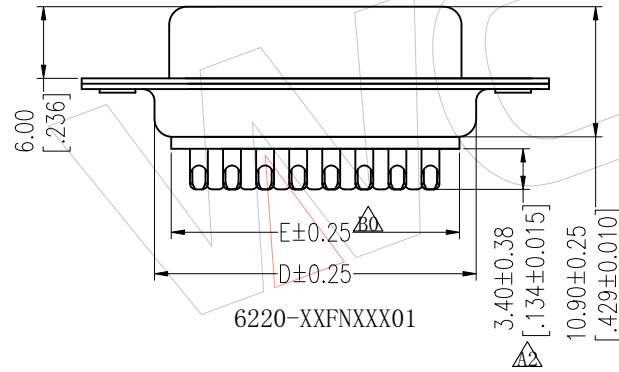
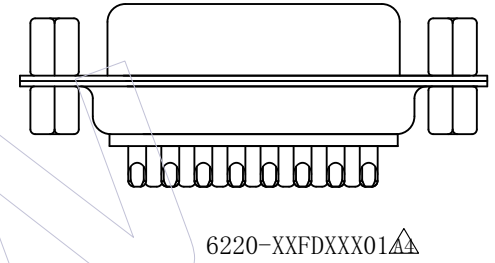
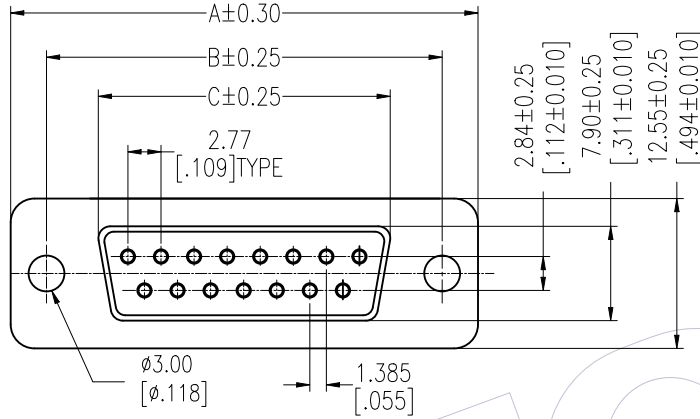
Contact Material: Brass  
 Contact plating: Au Or Sn over Ni  
 Insulator Material: PBT+30%G.F UL94V-0  
 Shell: Steel, Sn Or Ni Plated  
 Nut: Brass, Sn over Ni Plated

## Ordering Information

6220- XX F X XX X 01

| No. of Pins | Type                        | Contact Plating   | Insulator Color |
|-------------|-----------------------------|-------------------|-----------------|
| 9P          | B=With Back Nut             | S0=Gold Flash/Tin | B:Black         |
| 15P         | F=With Front Nut            | S3=10u"Gold/Tin   | U:Blue          |
| 25P         | N=Without Nut               | S4=15u"Gold/Tin   | W:White         |
| 37P         | D=With Front Screw&Back Nut | S5=30u"Gold/Tin   | SN=Tin          |

| PINS | DIM "A" | DIM "B" | DIM "C" | DIM "D" | DIM "E" |
|------|---------|---------|---------|---------|---------|
| 09   | 30.81   | 24.99   | 16.33   | 19.28   | 15.60   |
| 15   | 39.14   | 33.32   | 24.66   | 27.65   | 24.60   |
| 25   | 53.04   | 47.04   | 38.38   | 41.30   | 38.10   |
| 37   | 69.32   | 63.50   | 54.84   | 57.44   | 54.50   |



| REV | DATE       | MODIFICATION DESCRIPTION      | CHANGE | OPERATION   | DRAW    | DATE       | SCALE | FIT          | PART NO.                          |
|-----|------------|-------------------------------|--------|-------------|---------|------------|-------|--------------|-----------------------------------|
| B0  | 2022/02/17 | Modify The DIM 37.70 to 38.10 | △      | OPERATION   | LZH     | 2022/02/17 | UNIT  | mm           | 6220-XXFXXXX01                    |
| A4  | 2015/04/14 | Add the Type                  | △      | x.X ±0.40   | CHECK   | DATE       | SIZE  | A4           | TITLE:                            |
| A3  | 2014/06/18 | Modify The DIM 25.25 to 24.66 | △      | x.XX ±0.25  | APPROVE | DATE       | SHEET | 1/1          | D-SUB FEMALE DUAL ROW SOLDER TYPE |
| A0  | 2012/12/03 | NEW                           | -----  | x.XXX ±0.15 | DATE    | DATE       | PROJ. | Customer NO. |                                   |
|     |            |                               |        | Angle ± 3°  |         |            |       |              |                                   |
|     |            |                               |        | DIM TOL     |         |            |       |              |                                   |

**WCON**  
 Http: www.wcon.com  
 WCON-Dongguan Tel: +86 769 85358920  
 WCON-Kunshan Tel: +86 512 57468408  
 Fax: +86 769 85358915  
 Fax: +86 512 57468468  
 E-mail: sales@wcon.com  
 E-mail: salesks@wcon.com