

WSV-A series

Whole House Self-balancing Ventilator

WSV-A-490 WSV-A-750 WSV-A-725EC

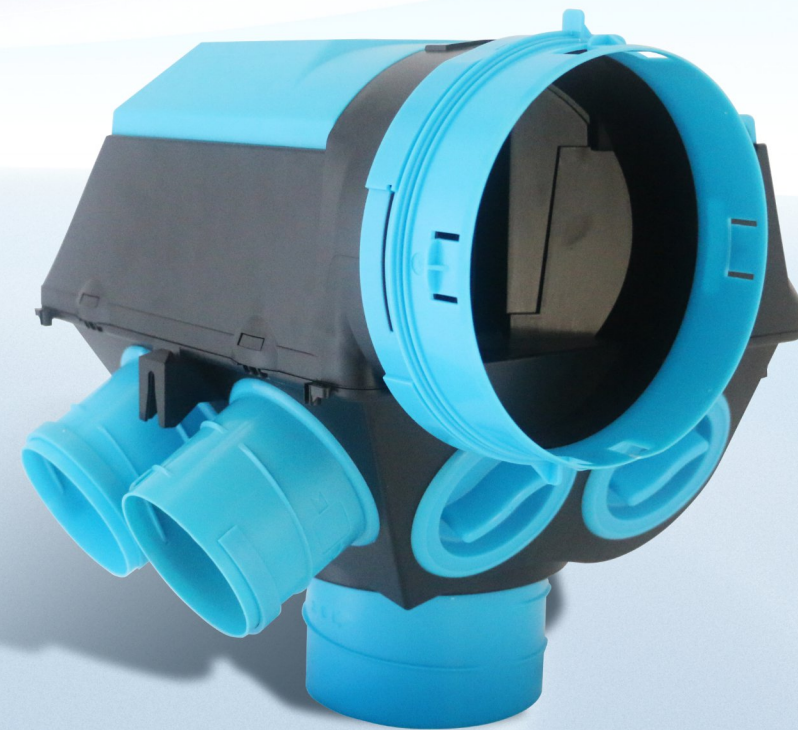
Product Features

- ◆ Impeller: multi-blade centrifugal impeller, big air pressure and air flow.
- ◆ Motor: high quality ball bearing motor, low power consumption and long working life.
- ◆ Quick removable outlet design.
- ◆ Multi-outlet design to ensure multi room ventilation purpose.
- ◆ Self-balancing outlet design to balance air flow to each room.

People's Daily activities shuttle between each room, but many families only install ventilation impel for a single or a few houses, ignoring the importance of ventilation throughout the house, so that some houses without ventilation devices contain oxygen or smell. Smart houses are "breathing buildings", which need to breathe in every room. The set of WSV series of ventilation fans, through the mechanical ventilation far away from the bedroom and other rooms, drives the natural wind to bring in from the windows, so as to keep the air fresh inside the building. Multiple rooms summary exhaust, to avoid the repeated installation of ventilation device, and with easy installation and maintenance features. Suitable for most suites, villas and other places.

Performance Parameter

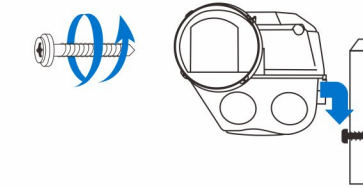
Model No.	Voltage Frequency (V/Hz)	Current (Amps)	Power (W)	Speed (RPM)	Airflow (m³/h)	Air Pressure (Pa)
WSV-A-490	220-240/50	0.25	56	1400	490	280
WSV-A-750	220-240/50	1.1	243	2680	750	520
WSV-A-725EC	220-240	0.65	140	0-2500	725	726



EASY TO INSTALL

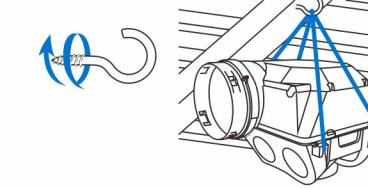
suspended on wall

- 1 Install the screw on wall
- 2 Install the machine

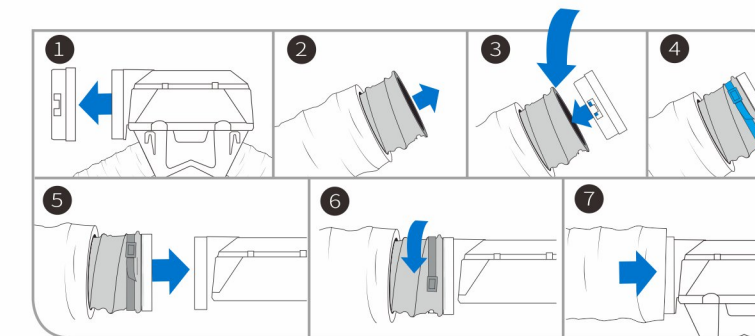
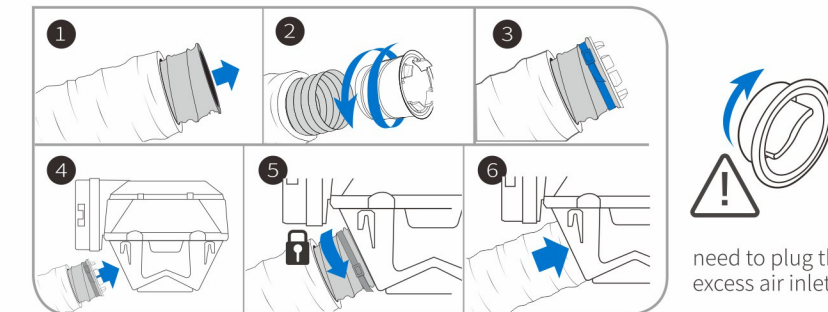


suspended on roof

- 1 Install the hook on wall
- 2 Install the machine

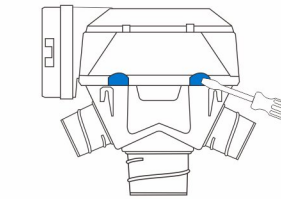


EASY TO CONNECT

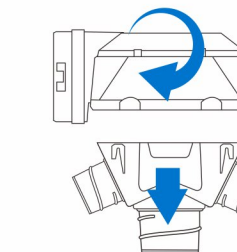


Easy to clean

- 1 Use a screwdriver to pry open the buckle, 4 buckles



- 2 Open the lid and take it off



- 3 Clean the impeller

